

THE ULTIMATE.



4M ULTRA Tri Widener Trailer

The Tri-Axle for Flagship Headers

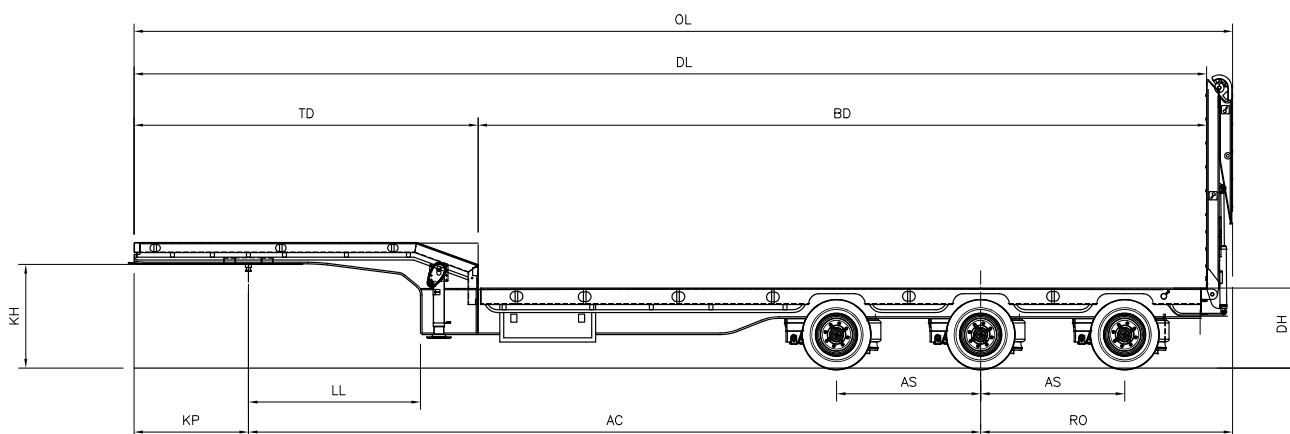
Standard Features

Main Rails	Full length heavy duty main rail 350 grade webs with an 8mm camber 350 grade flanges – up to 25mm thick	ATM	44,000kg
Coaming Rails	250mm and 125mm PFC with 18 chain bars	GTM	27,000kg
Flooring	5mm 700G on decks and ramps with 31 in-deck tie down points	Suspension	Fuwa K Hitch airbag tri-axle suspension with 19.5" 8 stud hubs
Tyre Carrier	Tyre carrier suited for 19.5" spares only	Hydraulics	Dual acting heavy-duty 3" cylinders fit with premium valves and 12V power pack
Front Gate	1600mm high heavy-duty gate	Landing Gear	2 Speed Fuwa K Hitch landing legs
Rear Ramps	Heavy-duty chain actuated bi-fold ramps 4200mm x 900mm box tube with a 5mm 700 grade steel plate surface and welded grip strips	Wheels	Steel painted rims with 265/70 19.5" tyres
Upper Ramps	Aluminium 3-piece flip-over	Electrics	175A Anderson plug, 12V lead acid battery, multi-volt LED lighting with beacon
Paint	Fully sandblasted, primed, and finished in two high quality 2-pack paint colours	Toolbox	Powder coated lockable toolbox with stainless door (1200mm x 350mm x 400mm)
Deck Height	995mm approx.	Water Tank	Polished 60L aluminium water tank
		Oversize Signage	Custom spring-loaded flip-over signs
		Flag Holders	Front and rear flag holders

4M ULTRA Tri Widener Trailer

Rated to carry a 31t payload at full width[†]

Brimarco



Model	Length		Deck			Other					
	OL	DL	TD [†]	BD	DH	KH	KP	LL	AC	AS	RO
Road Train											
IR	13.73 (45ft)	13.4	4.3	9.1	1	1.27	1.43	2.15	9.15	1.8	3.15
Standard											
IA	14.08 (46ft)	13.7	4.3	9.4	1	1.27	1.43	2.15	9.15	1.8	3.15
Maximum											
IM	14.63 (48ft)	14.3	4.3	10	1	1.27	1.43	2.15	9.15	1.8	3.7

Legend

OL Overall Length	LL Landing Leg	BD Bottom Deck	RO Rear Overhang
KP Kingpin Centre	TD Top Deck	AS Axle Spacing	KH Kingpin Height
DL Deck Length	AC Axle Centreline	DH Deck Height	

Note: All dimensions are listed in metres (m)

[†]Top deck length includes flip over ramp in position shown. For custom lengths or other special requirements please contact Brimarco directly. [†]Payload refers to engineered structural capacity. On-road limits depend on local regulations and vehicle configuration. *DISCLAIMER: 5 Year Warranty applies to structural defects only.

Optional Features

- + Roadtrain provision and coupling
- + Customised deck tie-down layouts
- + Extra wide ramps
- + Customised lighting and electrical systems
- + Petrol, diesel or PTO hydraulic systems
- + Hub-odometers, RightWeigh gauge, and telematic systems
- + Alloy and spare wheels
- + 3-way container pins
- + Stainless coaming rail protectors and vinyl scrollwork
- + Electric winch
- + Custom deck lengths

Brimarco

17-19 CORONET STREET,
WENDOUREE VIC 3355
SALES@BRIMARCO.COM.AU

(03) 5339 1000



View Online

Full specs, features,
videos and more at:
brimarco.com.au

