



Brimarco

TAKING YOUR BUSINESS PLACES



Best Value Heavy Duty Trailers



When reliability matters, Brimarco delivers

Proudly Australian Made

Manufactured locally to the highest standards, supporting Australian jobs and industries.

Premium Quality

Built to withstand tough conditions with durable materials and expert craftsmanship.

5-Year Warranty

Backed by a 5 year structural warranty for peace of mind and long-term protection.

Affordable & Reliable

Designed for long-term performance, delivering the best lifetime investment.

Ultra Low Heavy Duty Widener Trailers



DURABLE DESIGN

Through our “Tough As” brand, we produce high-quality, cost-effective commercial drop deck widener and A trailers designed for durability and performance.

Brimarco’s Tough As Drop Deck Widener Trailers are built to withstand Australia’s harsh conditions, offering endurance, strength, and versatility for heavy haulage.



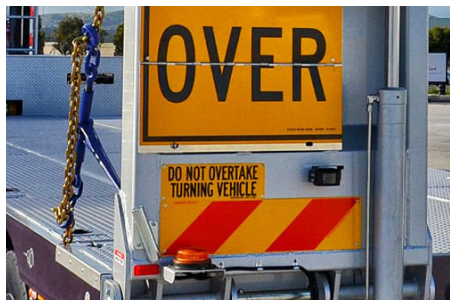
SAFETY BUILT IN

Commitment to safety means making it the standard - every time. Brimarco trailers are designed with safety at their core, ensuring reliability, and compliance with every load. No shortcuts, no compromises.

OPTIMISED PERFORMANCE

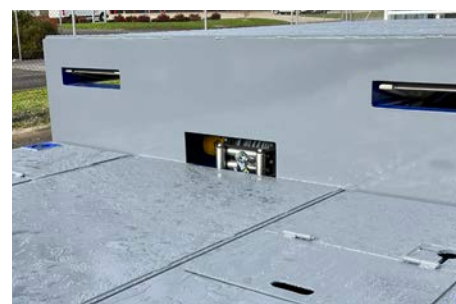
Available in multiple configurations, built as a 3.5m or 4m drop deck widener. The ultra-low build ensures a lower deck height of under 1m for enhanced clearance, better weight distribution, and improved safety on the road.

3.5m Ultra Low Heavy Duty Widener Trailer



STANDARD FEATURES

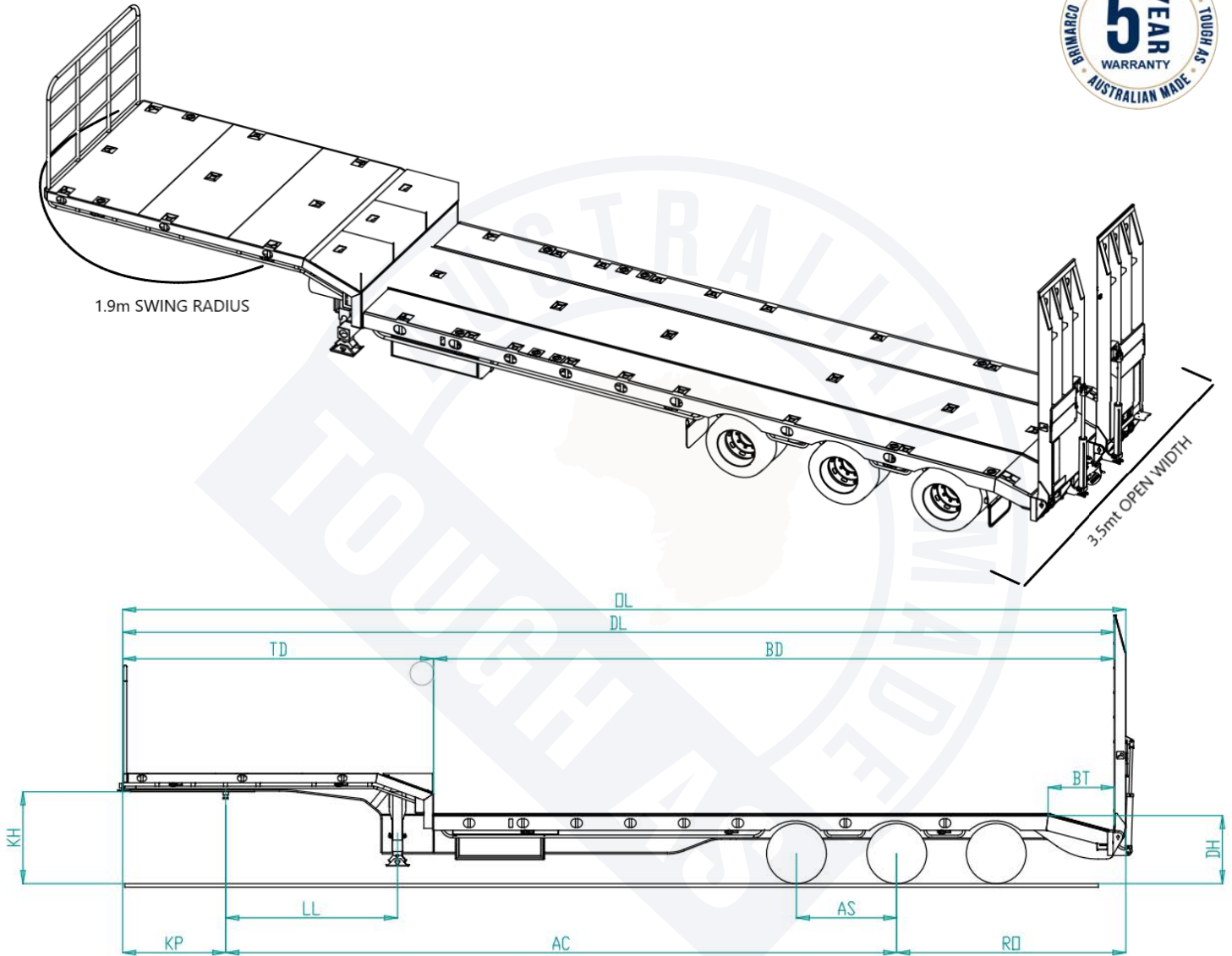
Main Rails	Full length heavy duty main rail. 350 grade 8mm webs with a 20mm camber. 350 grade flanges – 16mm upper and 20mm lower flanges.	ATM	44,000kg.
Coaming Rails	125mm (5") PFC upper deck with 3 chain bars on each side. 200mm (8") PFC lower deck with 5 chain bars on each side.	GTM	25t
Flooring	5mm 700 grade floor including 33 deck tie downs.	Suspension	Fuwa K Hitch mechanical tri-axle suspension with 19.5" 8 stud hubs.
Tyre Carrier	Tyre carrier suited for 19.5" spares only.	Hydraulics	Dual acting heavy-duty 3" cylinders fitted with anti-burst valves. 12v electric over hydraulic power pack.
Front Gate	1600mm high heavy-duty gate.	Landing Gear	2 speed heavy-duty Fuwa K Hitch landing legs.
Rear Ramps	Heavy-duty 2950mm x 900mm box tube construction with a 5mm steel plate surface and welded grip strips. Each ramp has a 10t point load rating and is secured with safety chains and dogs.	Wheels	Steel Painted rims with 265/70 19.5" tyres.
Upper Ramps	3 Piece flip over.	Lighting	Full multi-volt LED lighting with a LED beacon, Round 7-pin plug and a 175A Anderson plug.
Paint	Two colours of your choice. Sandblasted, primed and then finished with two coats of high quality 2 pack paint.	Toolbox	Powder coated toolbox with stainless steel door and 'T' bar locking handle with keys. Dimensions (1200mm x 350mm x 400mm)
Deck Height	975mm approx.	Water Tank	Polished 60 litre aluminium water tank.
		Upsize Signage	Custom made spring loaded flip-over signs.
		Flag Holders	Adjustable coaming rail flag holders at the front. Fixed flag holder mounts at the rear.



OPTIONAL FEATURES

- 3-way container pins with risers
- Road train provision
- Airbag suspension with raise lower valve 19.5" 8 stud hubs
- Stainless steel coaming rail protectors
- Scrollwork and customised branding
- Additional deck tie-down plates
- Bi-fold ramps
- Extra wide ramps
- Additional toolboxes and timber cages
- Customised lighting
- Spare wheels
- Alloy wheels
- Wabco smart board, Opti-Link and Opti-Tyre
- Petrol or diesel hydraulic power packs
- 25,000lb electric winch
- Gate pockets

3.5m Ultra Low Heavy Duty Widener Trailer



Standard Length Dimensions

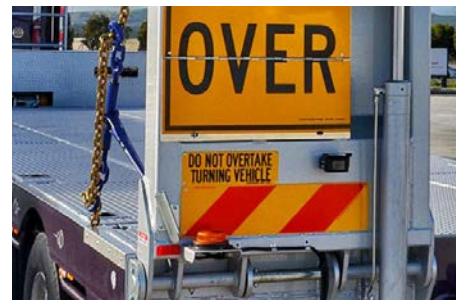
Model	Length		Deck				Other					
	OL	DL	TD*	BD	BT	DH	KH	KP	LL	AC	AS	RO
Road Train												
CR	13.65 (45ft)	13.3	4.3	9.3	0.055	0.97	1.27	1.4	2.4	9.3	1.4	2.9
Standard												
CA	14 (46ft)	13.7	4.3	9.7	0.9	0.97	1.27	1.4	2.4	9.3	1.4	3.3
Maximum												
CM	14.6 (48ft)	14.3	4.3	10.3	0.9	0.97	1.27	1.4	2.4	9.5	1.4	3.7

Legend

- OL Overall Length DL Deck Length TD Top Deck BD Bottom Deck BT Beaver Tail DH Deck Height
- KH Kingpin Height KP Kingpin Centre LL Landing Leg AC Axle Centreline AS Axle Spacing RO Rear Overhang

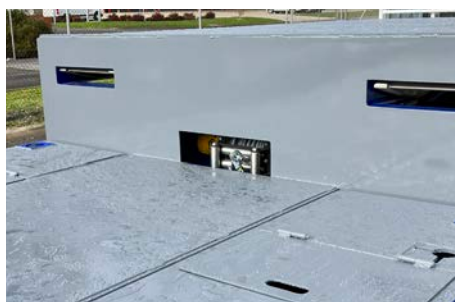
Note: All dimensions are listed in metres (m)
 * Top deck length includes flip over ramp in position shown
 For custom lengths or other special requirements please contact Brimarco directly.

4m Ultra Low Heavy Duty Widener Trailer



STANDARD FEATURES

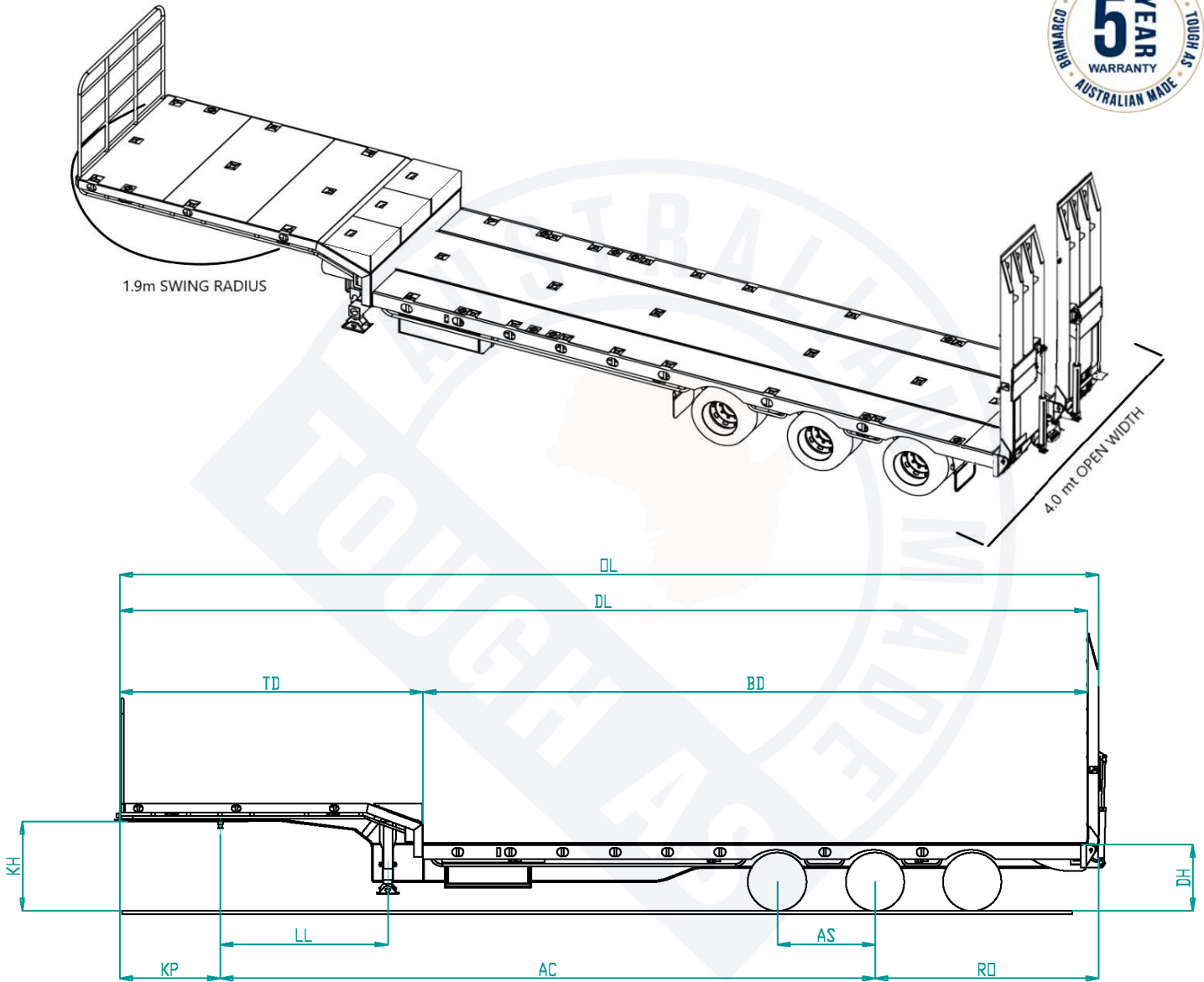
Main Rails	Full length heavy duty main rail. 350 grade 8mm webs with a 20mm camber. 350 grade flanges – 16mm upper and 20mm lower flanges.	ATM	44,000kg.
Coaming Rails	125mm (5") PFC upper deck with 3 chain bars on each side. 200mm (8") PFC lower deck with 5 chain bars on each side.	GTM	Limits: 25t at 2.5m, 23t at 3m and 20t at 3.5m and 20t at 4.0m.
Flooring	5mm 700 grade floor including 33 deck tie downs.	Suspension	Fuwa K Hitch airbag tri-axle suspension with 19.5" 8 stud hubs.
Tyre Carrier	Tyre carrier suited for 19.5" spares only.	Hydraulics	Dual acting heavy-duty 3" cylinders fitted with anti-burst valves. 12v electric over hydraulic power pack.
Front Gate	1600mm high heavy-duty gate.	Landing Gear	2 speed heavy-duty Fuwa K Hitch landing legs.
Rear Ramps	Heavy-duty 2950mm x 900mm box tube construction with a 5mm steel plate surface and welded grip strips. Each ramp has a 10t point load rating and is secured with safety chains and dogs.	Wheels	Steel Painted rims with 265/70 19.5" tyres.
Upper Ramps	3 Piece flip over.	Lighting	Full multi-volt LED lighting with a LED beacon, Round 7-pin plug and a 175A Anderson plug.
Paint	Two colours of your choice. Sandblasted, primed and then finished with two coats of high quality 2 pack paint.	Toolbox	Powder coated toolbox with stainless steel door and 'T' bar locking handle with keys. Dimensions (1200mm x 350mm x 400mm)
Deck Height	975mm approx.	Water Tank	Polished 60 litre aluminium water tank.
		Upsize Signage	Custom made spring loaded flip-over signs.
		Flag Holders	Adjustable coaming rail flag holders at the front. Fixed flag holder mounts at the rear.



OPTIONAL FEATURES

- 3-way container pins with risers
- Road train provision
- Stainless steel coaming rail protectors
- Scrollwork and customised branding
- Additional deck tie-down plates
- Bi-fold ramps
- Extra wide ramps
- Additional toolboxes and timber cages
- Customised lighting
- Spare wheels
- Alloy wheels
- Wabco smart board, Opti-Link and Opti-Tyre
- Petrol or diesel hydraulic power packs
- 25,000lb electric winch
- Gate pockets

4m Ultra Low Heavy Duty Widener Trailer



Standard Length Dimensions

Model	Length		Deck			Other					
	OL	DL	TD*	BD	DH	KH	KP	LL	AC	AS	RO
Road Train											
CR	13.65 (45ft)	13.3	4.3	9.3	0.98	1.27	1.4	2.4	8.95	1.4	3.27
Standard											
CA	14 (46ft)	13.7	4.3	9.7	0.98	1.27	1.4	2.4	9.3	1.4	3.25
Maximum											
CM	14.6 (48ft)	14.3	4.3	10.3	0.98	1.27	1.4	2.4	9.5	1.4	3.7

Legend

OL Overall Length DL Deck Length TD Top Deck BD Bottom Deck DH Deck Height KH Kingpin Height
 KP Kingpin Centre LL Landing Leg AC Axle Centreline AS Axle Spacing RO Rear Overhang

Note: All dimensions are listed in metres (m)

* Top deck length includes flip over ramp in position shown

For custom lengths or other special requirements please contact Brimarco directly

Rental Trailers



BEST VALUE HEAVY DUTY TRAILERS

Not quite ready to purchase a trailer? No problem—Brimarco has you covered.

We offer flexible rental and rent-to-buy options to suit your needs, providing a cost-effective solution with competitive rates.

Whether you're looking for a short-term rental or a long-term investment, we've got a plan that works for you.

Take advantage of tax-effective solutions designed to keep your operations running smoothly and efficiently.

Our trailers are built to work as hard as you do, providing reliable performance day in and day out.



Trusted by Customers Nationwide



"I would highly recommend the Brimarco brand to anyone seeking the best quality, Australian built trailer on the market today that is backed by a team of dedicated, fair and passionate professionals."

Matt Tennant,
Managing Director, TENEX Rail.

Contact us today



BEST VALUE HEAVY DUTY TRAILERS

Have a question or want one of our team to give you a call?

 **03 5339 1000**

 **17-19 Coronet Street, Wendouree VIC 3355**

 **www.brimarco.com.au**

 **sales@brimarco.com.au**



Visit Our Website



Instant Quote

Follow us on our socials
for the latest updates.



Brimarco