



Ultra Low Heavy Duty 3.5m Widener

Brimarco Manufactures Australia's Best Value Heavy Duty Drop Deck Trailers. Proudly Australian Made since 1976.



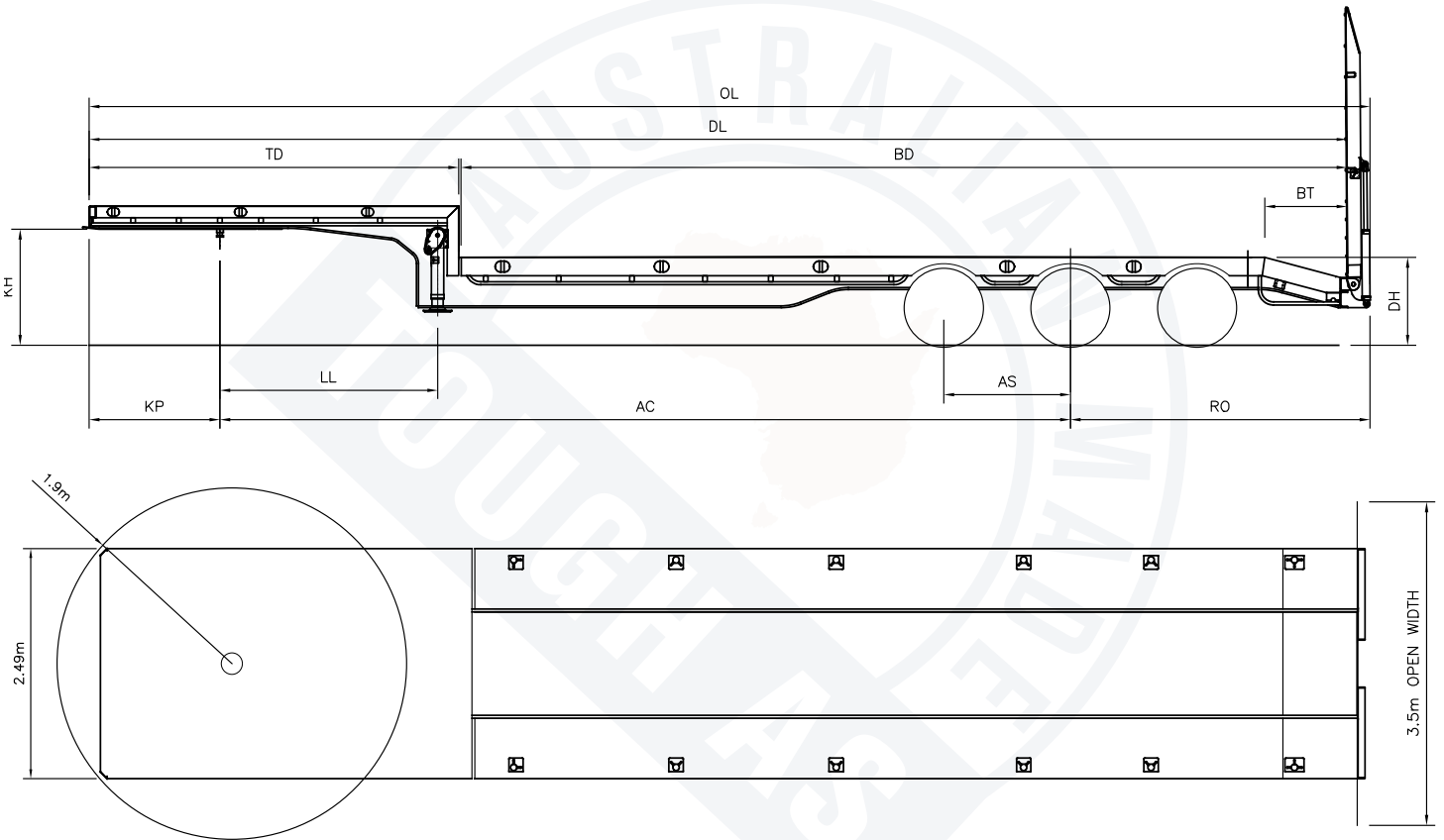
STANDARD FEATURES

Main Rails	Full length heavy duty main rail. 350 grade 8mm webs with a 20mm camber. 350 grade flanges – 16mm upper and 20mm lower flanges.	Deck Height	975mm approx.
Coaming Rails	125mm (5") PFC upper deck with 3 chain bars on each side. 200mm (8") PFC lower deck with 5 chain bars on each side.	ATM	44,000kg.
Flooring	5mm 700 grade smooth floor including 33 deck tie downs.	GTM	25t.
Tyre Carrier	Tyre carrier suited for 19.5" spares only.	Suspension	Fuwa K Hitch mechanical tri-axle suspension with 29.5" 8 stud hubs.
Front Gate	1600mm high heavy-duty gate.	Hydraulics	Australian Made dual acting heavy-duty 3" cylinders fitted with anti-burst valves. 12v electric over hydraulic power pack.
Rear Ramps	Heavy-duty 2950mm x 900mm box tube construction with a 5mm steel plate surface and welded grip strips. Each ramp has a 10t point load rating and is secured with safety chains and dogs.	Landing Gear	2 speed heavy-duty Fuwa K Hitch landing legs.
Upper Ramps	3 Piece flip over.	Wheels	Steel Painted rims with 265/70 19.5" tyres.
Paint	Two colours of your choice. Sandblasted, primed and then finished with two coats of high quality 2 pack paint.	Lighting	Full multi-volt LED lighting with a LED beacon, Round 7-pin plug and a 175A Anderson plug.
		Toolbox	Powder coated toolbox with stainless steel door and 'T' bar locking handle with keys. Dimensions (1200mm x 350mm x 400mm).
		Water Tank	Polished 49 litre aluminium water tank.
		Oversize Signage	Custom made spring loaded flip-over signs.
		Flag Holders	Adjustable coaming rail flag holders at the front. Fixed flag holder mounts at the rear.

OPTIONAL FEATURES

- 3-way container pins with risers
- Road train provision
- Airbag suspension with raise lower valve.
- 19.5" 8 stud hubs
- Stainless steel coaming rail protectors
- Scrollwork and customised branding
- Additional deck tie-down plates
- Bi-fold ramps
- Extra wide ramps
- Additional toolboxes and timber cages
- Customised lighting
- Spare wheels
- Alloy wheels
- Wabco smart board, Opti-Link and Opti-Tyre
- Petrol or diesel hydraulic power packs
- 15,000lb electric winch
- Hardox or Bisalloy Decking
- Gate pockets

Note: the above photo shows options not included in the standard trailer.



STANDARD LENGTH DIMENSIONS

Model	LENGTH		DECK				OTHER					
	OL	DL	TD	BD	BT	DH	KH	KP	LL	AC	AS	RO
Road Train												
CR	13.65 (45ft)	13.3	4	9.3	0.55	0.97	1.27	1.4	2.4	9.3	1.4	2.9
Standard												
CA	14 (46ft)	13.7	4	9.7	0.9	0.97	1.27	1.4	2.4	9.3	1.4	3.3
Maximum												
CM	14.6 (48ft)	14.3	4	10.3	0.9	0.97	1.27	1.4	2.4	9.5	1.4	3.7

Legend

OL Overall length DL Deck Length TD Top Deck BD Bottom Deck BT Beaver tail DH Deck Height
 KH Kingpin height KP Kingpin centre LL Landing leg AC Axle centreline AS Axle spacing RO Rear Overhang

Note: All dimensions are listed in metres (m)

For custom lengths or other special requirements please contact Brimarco directly.