



# Ultra Low Heavy Duty 4.0m Widener

Brimarco Manufactures Australia's Best Value Heavy Duty Drop Deck Trailers.  
Proudly Australian Made since 1976.



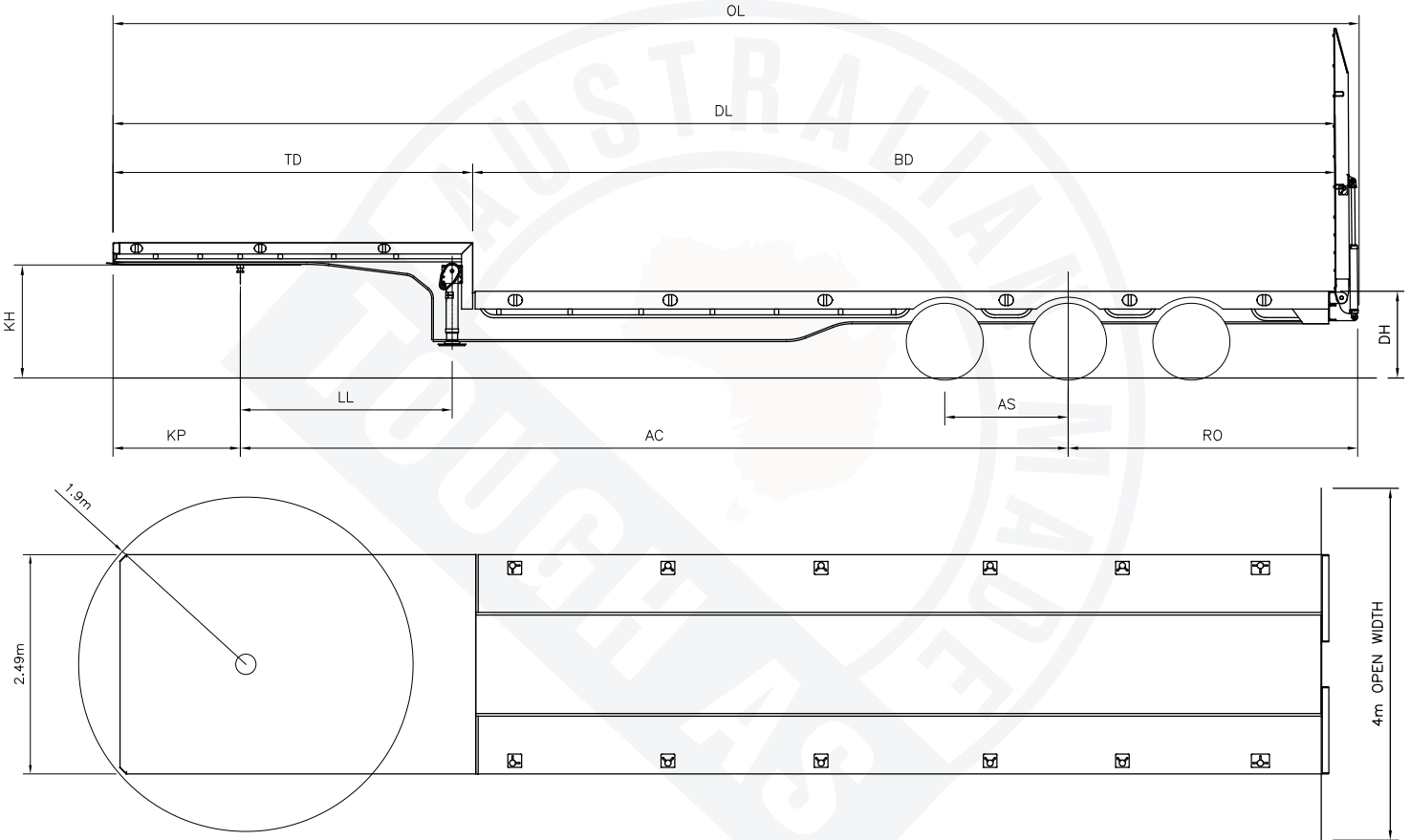
## STANDARD FEATURES

<b>Main Rails</b>	Full length heavy duty main rail. 350 grade 8mm webs with a 20mm camber. 350 grade flanges – 16mm upper and 20mm lower flanges.	<b>Deck Height</b>	975mm approx.
<b>Coaming Rails</b>	125mm (5") PFC upper deck with 3 chain bars on each side. 200mm (8") PFC lower deck with 5 chain bars on each side.	<b>ATM</b>	44,000kg.
<b>Flooring</b>	5mm 700 grade smooth floor including 33 deck tie downs.	<b>GTM</b>	Limits: 25t at 2.5m, 23t at 3m and 20t at 3.5m and 20t at 4.0m.
<b>Tyre Carrier</b>	Tyre carrier suited for 19.5" spares only.	<b>Suspension</b>	Fuwa K Hitch mechanical tri-axle suspension with 29.5" 8 stud hubs.
<b>Front Gate</b>	1600mm high heavy-duty gate.	<b>Hydraulics</b>	Australian Made dual acting heavy-duty 3" cylinders fitted with anti-burst valves. 12v electric over hydraulic power pack.
<b>Rear Ramps</b>	Heavy-duty 2950mm x 900mm box tube construction with a 5mm steel plate surface and welded grip strips. Each ramp has a 10t point load rating and is secured with safety chains and dogs.	<b>Landing Gear</b>	2 speed heavy-duty Fuwa K Hitch landing legs.
<b>Upper Ramps</b>	3 Piece flip over.	<b>Wheels</b>	Steel Painted rims with 265/70 19.5" tyres.
<b>Paint</b>	Two colours of your choice. Sandblasted, primed and then finished with two coats of high quality 2 pack paint.	<b>Lighting</b>	Full multi-volt LED lighting with a LED beacon, Round 7-pin plug and a 175A Anderson plug.
		<b>Toolbox</b>	Powder coated toolbox with stainless steel door and 'T' bar locking handle with keys. Dimensions (1200mm x 350mm x 400mm).
		<b>Water Tank</b>	Polished 49 litre aluminium water tank.
		<b>Oversize Signage</b>	Custom made spring loaded flip-over signs.
		<b>Flag Holders</b>	Adjustable coaming rail flag holders at the front. Fixed flag holder mounts at the rear.

## OPTIONAL FEATURES

- 3-way container pins with risers
- Road train provision
- Airbag suspension with raise lower valve.
- 19.5" 8 stud hubs
- Stainless steel coaming rail protectors
- Scrollwork and customised branding
- Additional deck tie-down plates
- Bi-fold ramps
- Extra wide ramps
- Additional toolboxes and timber cages
- Customised lighting
- Spare wheels
- Alloy wheels
- Wabco smart board, Opti-Link and Opti-Tyre
- Petrol or diesel hydraulic power packs
- 15,000lb electric winch
- Hardox or Bisalloy Decking
- Gate pockets

Note: the above photo shows options not included in the standard trailer.



## STANDARD LENGTH DIMENSIONS

Model	LENGTH		DECK			OTHER					
	OL	DL	TD	BD	DH	KH	KP	LL	AC	AS	RO
<b>Road Train</b>											
<b>DR</b>	13.65 (45ft)	13.3	4	9.3	0.98	1.27	1.4	2.4	8.95	1.4	3.27
<b>Standard</b>											
<b>DA</b>	14 (46ft)	13.7	4	9.7	0.98	1.27	1.4	2.4	9.3	1.4	3.25
<b>Maximum</b>											
<b>DM</b>	14.6 (48ft)	14.3	4	10.3	0.98	1.27	1.4	2.4	9.5	1.4	3.7

### Legend

OL Overall length    DL Deck Length    TD Top Deck    BD Bottom Deck    DH Deck Height    KH Kingpin height  
 KP Kingpin centre    LL Landing leg    AC Axle centreline    AS Axle spacing    RO Rear Overhang

Note: All dimensions are listed in metres (m)

For custom lengths or other special requirements please contact Brimarco directly.